

# KVM

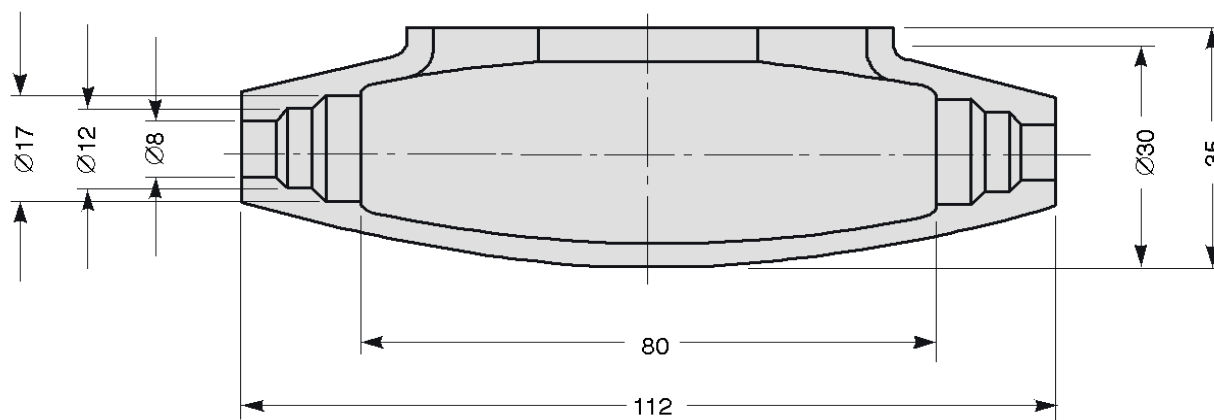
## Cable junction sleeve



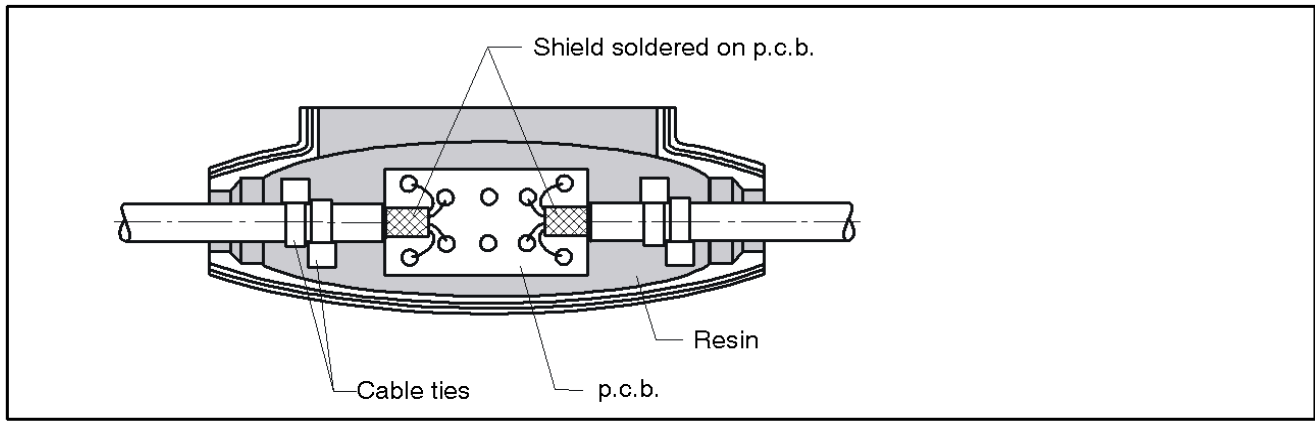
### Special features

- Repair of transducer cables
- Transducer cable extensions
- Reliable contact through soldered connections
- Corrosion-proof, plastic coating
- Quick and easy connection (only 15 min. curing time)
- Mechanical robustness
- IP 67 protection per EN 60 529 (IEC 529)

Dimensions (in mm; 1 mm = 0.03937 inches)



## Internal construction



## Survey of HBM measurement cables (by the meter)

Type	Sheath color	No. of cores	Outside diameter (mm)	Core cross section (mm <sup>2</sup> )	Core insulation	Sheath material	Temperature limit (°C, [°F])	Capacitance (pF/m)		Order no.
								Core/ Core	Core/ Shield	
<b>Suitable for carrier frequency and DC operation over short distances <sup>1)</sup></b>										
Kab7/00-4	grey	4	6.5	0.5	Teflon	Silicone	-50...+180 [-58...+356]	140	140	4-3131.0048
Kab9/00-4	grey	4	8.8	1.25	Teflon	Silicone	-50...+180 [-58...+356]	140	140	4-3131.0012
Kab5.4/00-4	grey	6	5.4	0.14	PE	PVC	-30...+85 [-22...+185]	82	82	4-3131.0071
Kab6.5/00-6-TPE	grey	6	6.5	0.25	TPE	TPE	-50...+120 [-58...+248]	100	100	4-3301.0115
Kab6.5/00-6-SIL	grey	6	6.5	0.25	Teflon	Silicone	-50...+180 [-58...+356]	100	100	4-3301.0108
Kab6.5/00-8	grey	8	6.5	0.2	PE	PVC	-30...+70 [-22...+158]	52	52	4-3301.0165
Kab4.1/00-3	grey	3	4.1	0.14	PVC	PVC	-20...+80 [-4...+176]	110	110	4-3131.0017
Kab4.2/00-6-PUR	black	6	4.2	0.15	TPE	PUR	-50...+125 [-58...+257]	95	140	4-3301.0151
<b>Suitable for carrier frequency and DC operation over longer distances</b>										
Kab5/00-4	grey	4	5	0.17	PE	PVC	-35...+80 [-31...176]	80	80	4-3133.0002
Kab8/00-4	grey	4	8	0.26	PE	PVC	-35...+80 [-31...176]	67	67	4-3133.0023
Kab8/00-2/2/2	grey	6	7.5	0.14	PE	PVC	-30...+70 [-22...+158]	75	130	4-3301.0071
	blue									4-3301.0082
Kab8/00-2/2/2 SIC	grey	6	7.5	0.14	PE	Silicone	-30...+70 [-22...+158]	75	130	4-3301.0169
Kab11/00-24	grey	24	11	0.14	PE	PVC	-35...+80 [-31...176]	45	80	4-3131.0035
Kab14/00-44	grey	44	14	0.14	PE	PVC	-35...+80 [-31...176]	45	80	4-3131.0059
Kab15/00-72	grey	72	15	0.14	PVC	PVC	-35...+80 [-31...176]	85	135	4-3131.0036

<sup>1)</sup> 600 Hz carrier frequency < 50 m / 4.8 kHz carrier frequency < 20 m

Modifications reserved.  
All details describe our products in general form only. They are not to be understood as express warranty and do not constitute any liability whatsoever.